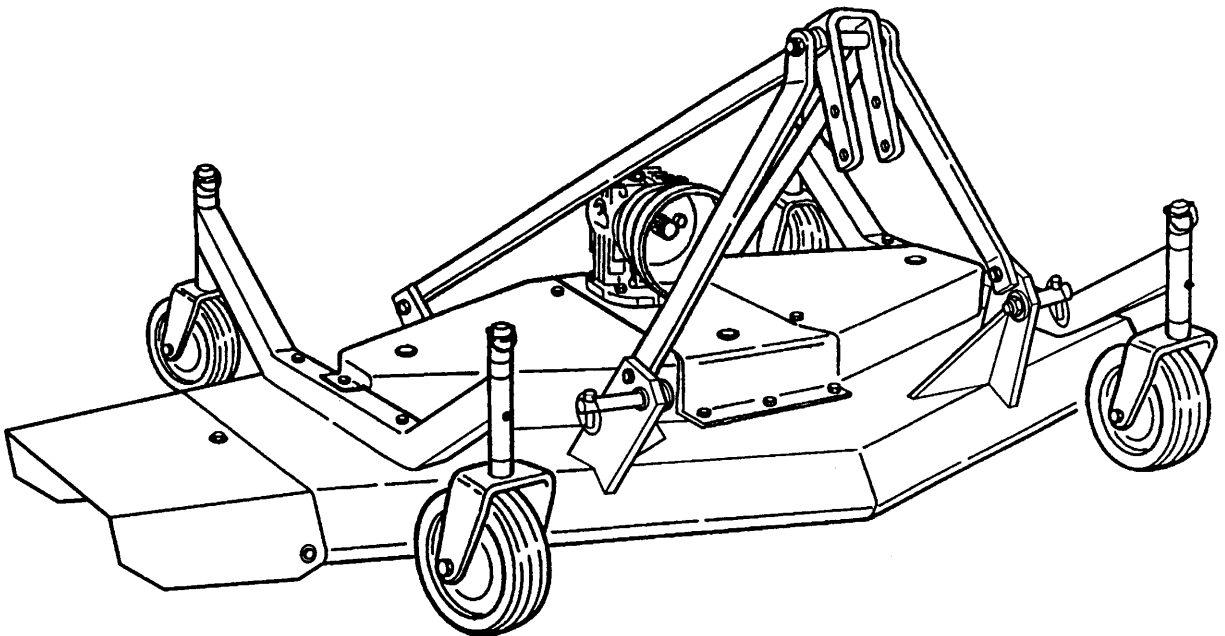


ROTOMECH

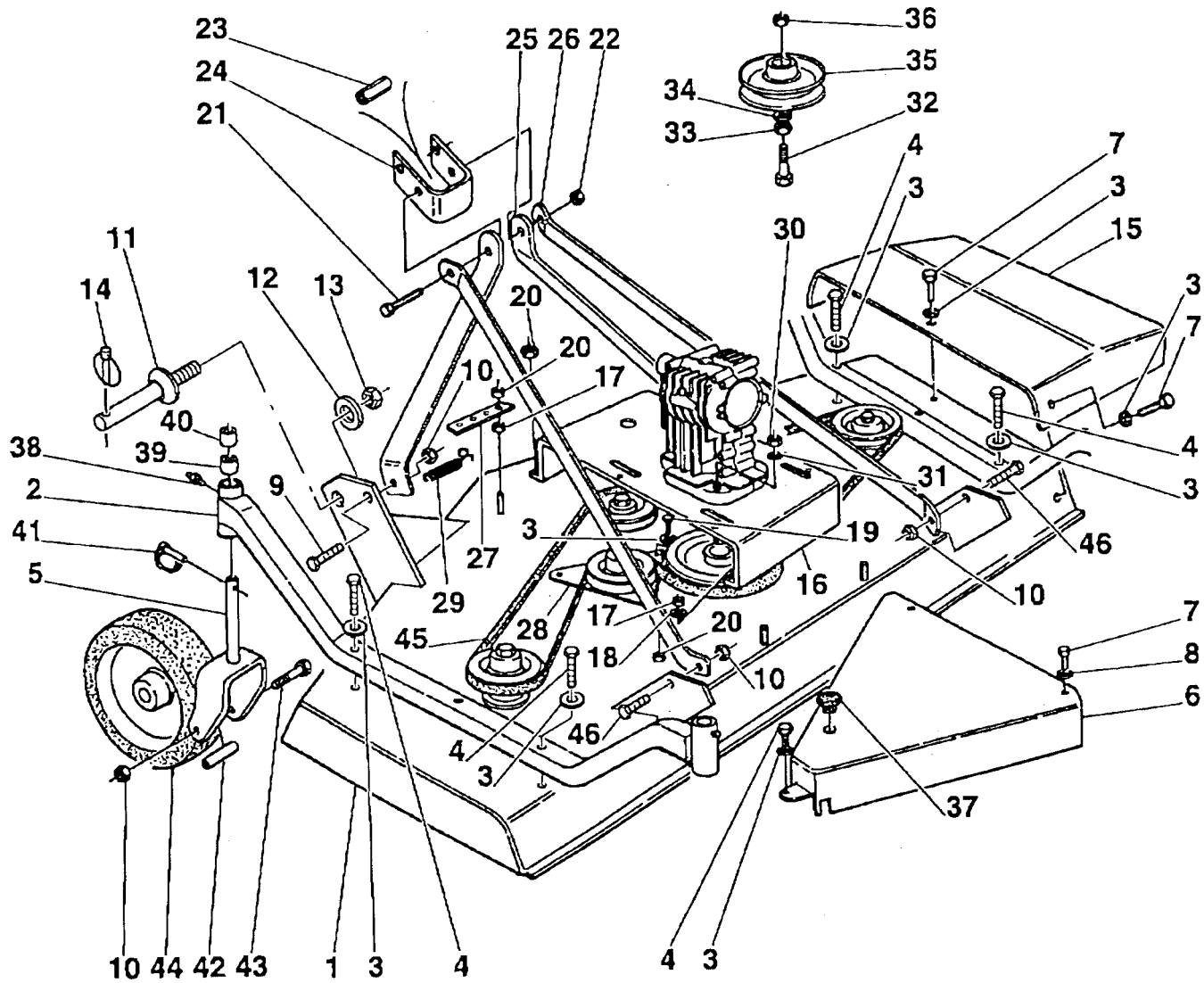
Parts Manual

THREE SPINDLE GROOMING MOWER

5' & 6' Working Width,
Up to 30 HP, 540 rpm



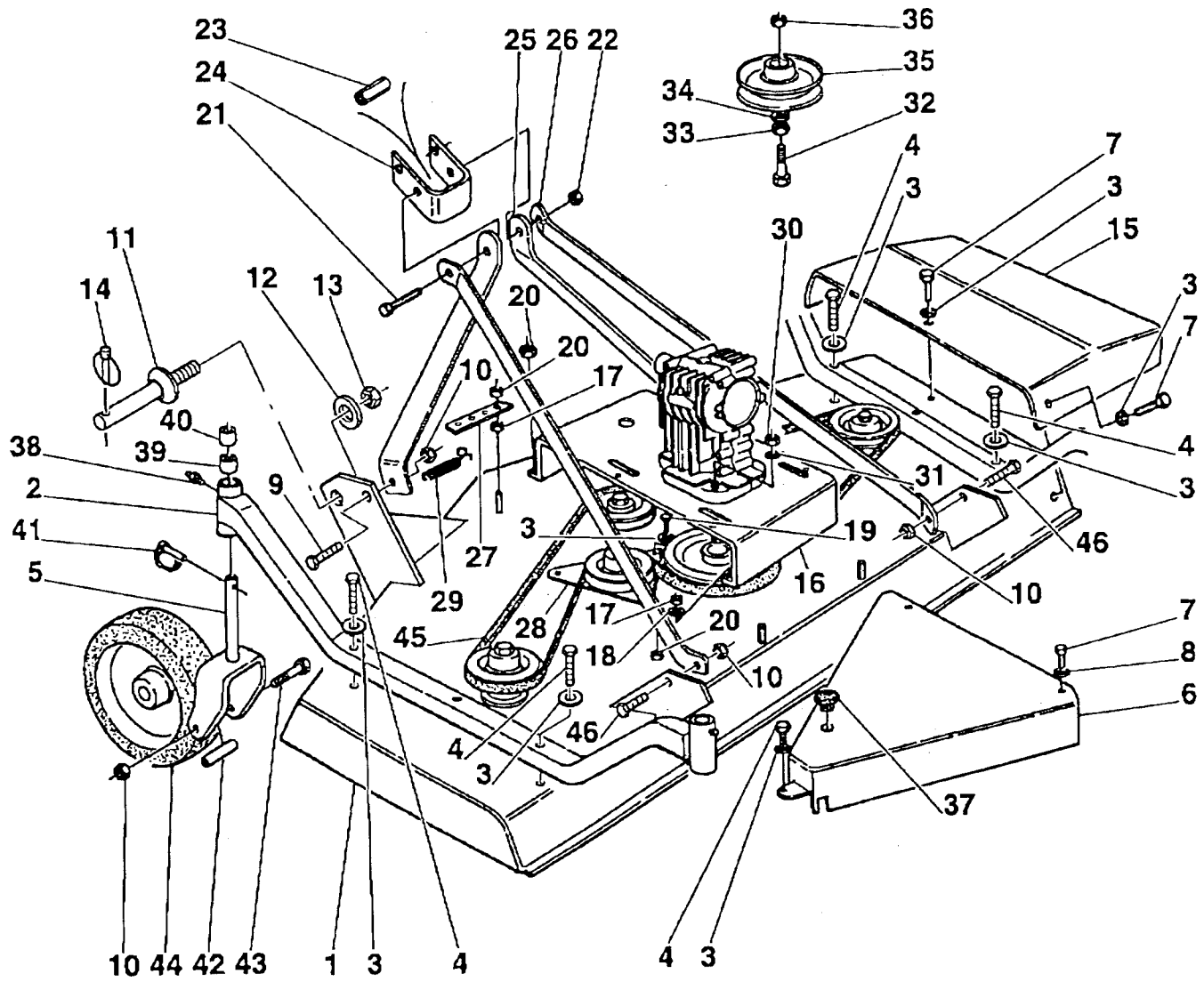
Three Spindle Mower Frame



Three Spindle Mower
Frame

ITEM	PART#	DESCRIPTION	QTY.
1	025 1501	Frame 60" Rear Discharge	1
	035 1501	Frame 72" Rear Discharge	1
	055 1501	Frame 60" Side Discharge	1
	065 1501	Frame 72" Side Discharge	1
2	005 1781	Wheel arm 60"	2
	005 1783	Wheel arm 72"	2
3	003 0157	Flat washer 10mm	10
4	002 6185	Bolt 10 x 90	6
5	000 8785	Wheel yoke	4
6	020 8811	Belt protection 60"	2
	020 8817	Belt protection 60" (Serial #222823 +)	2
	030 8811	Belt protection 72"	2
	030 8817	Belt protection 72"(Serial #222823 +)	2
7	003 3176	Bolt 10 x 25	7
8	000 2034	Flat washer 10mm	4
9	000 1526	Bolt 20 x 50	2
10	003 0358	Nut 20mm	2
11	000 5550	Hitch pin	2
12	000 5351	Spring washer 20mm	2
13	000 5542	Nut 20mm	2
14	001 8266	Lynch pin	2
15	020 8425	Deflector 60"	1
	030 8425	Deflector 72"	1
16	020 8430	Central plate 60"	1
	030 8430	Central plate 72"	1
17	000 1279	Nut 10mm	3
18	000 1280	Spring washer 10mm	2
19	009 1281	Bolt 10 x 35	1
20	003 0156	Nut 10mm	4
21	000 6834	Bolt 16 x 150mm	1
22	000 5581	Nut 16mm	1
23	000 6829	Spacer	1
24	000 6828	Upper plate	1
25	005 1822	Top hitch support	2
26	005 1826	Top hitch arm 60"	2
	005 1828	Top hitch arm 72"	2
27	000 8571	Hitch plate	1
28	000 8563	Belt tensioner support	1
29	000 8586	Spring	1
30	000 3038	Nut 12mm	4
31	000 1077	Spring washer 12mm	4
32	000 8576	Bolt 20 x 65	1

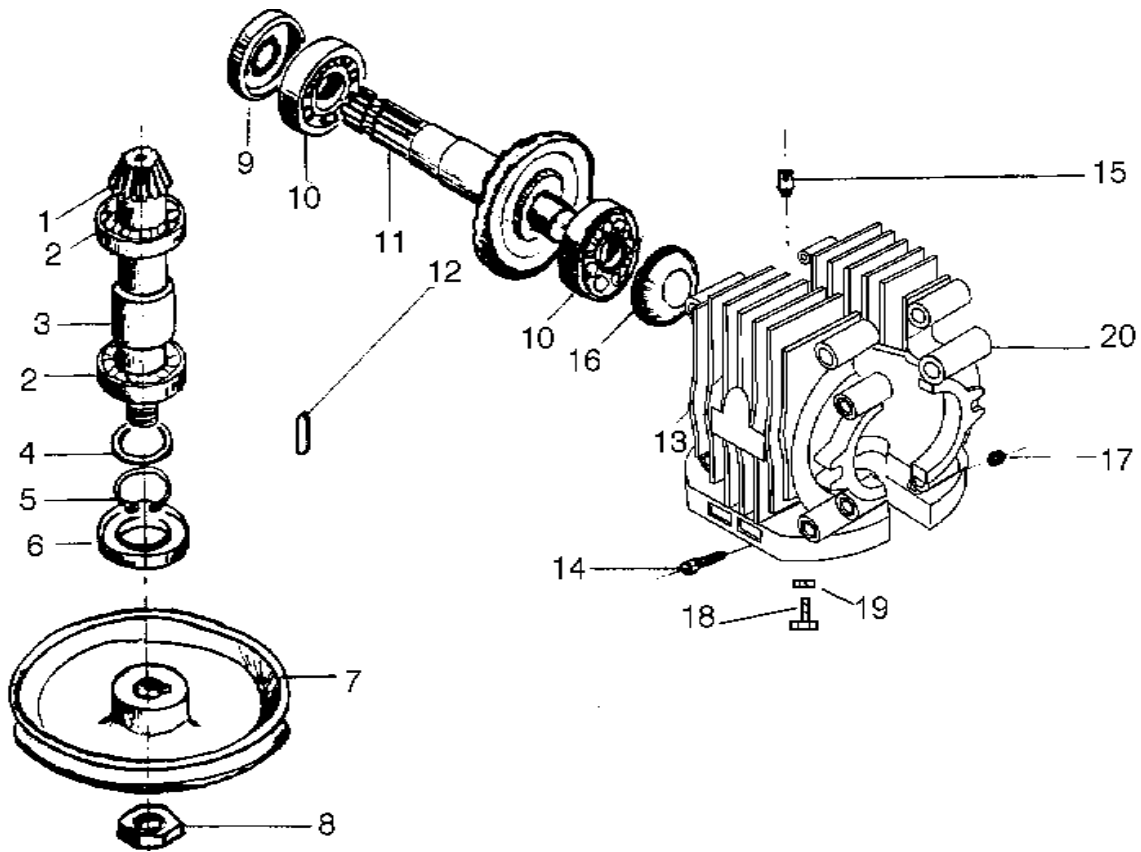
Three Spindle Mower Frame



**Three Spindle Mower
Frame**

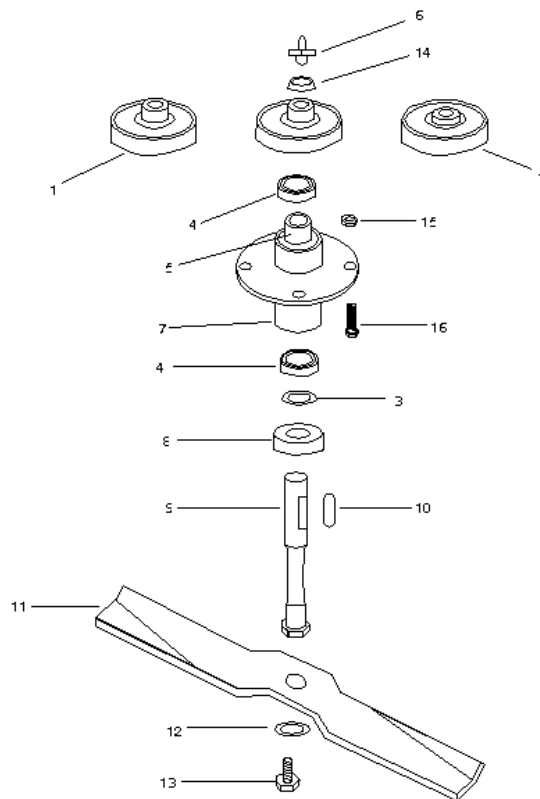
ITEM#	PART #	DESCRIPTION	QTY.
33	000 5508	Nut 20mm	1
34	004 6555	Flat washer 20mm	3
35	000 8561	Pulley belt tensioner	2
36	000 5507	Nut 20mm	2
37	000 6647	Cap	3
38	000 1065	Grease fitting	4
39	000 6586	Spacer 1"	8
40	000 6587	Spacer 1/2"	8
41	000 6610	Cotter pin 6 x 46	4
42	000 8528	Spacer	4
43	000 6615	Bolt 14 x 140	4
44	000 8526	Wheel	4
45	000 8670	Belt B 112 1/2 (60" Mower)	1
	000 8950	Belt B 140 (72" Mower)	1
46	007 4232	Bolt 14 x 40	2

Three Spindle Mower Gearbox

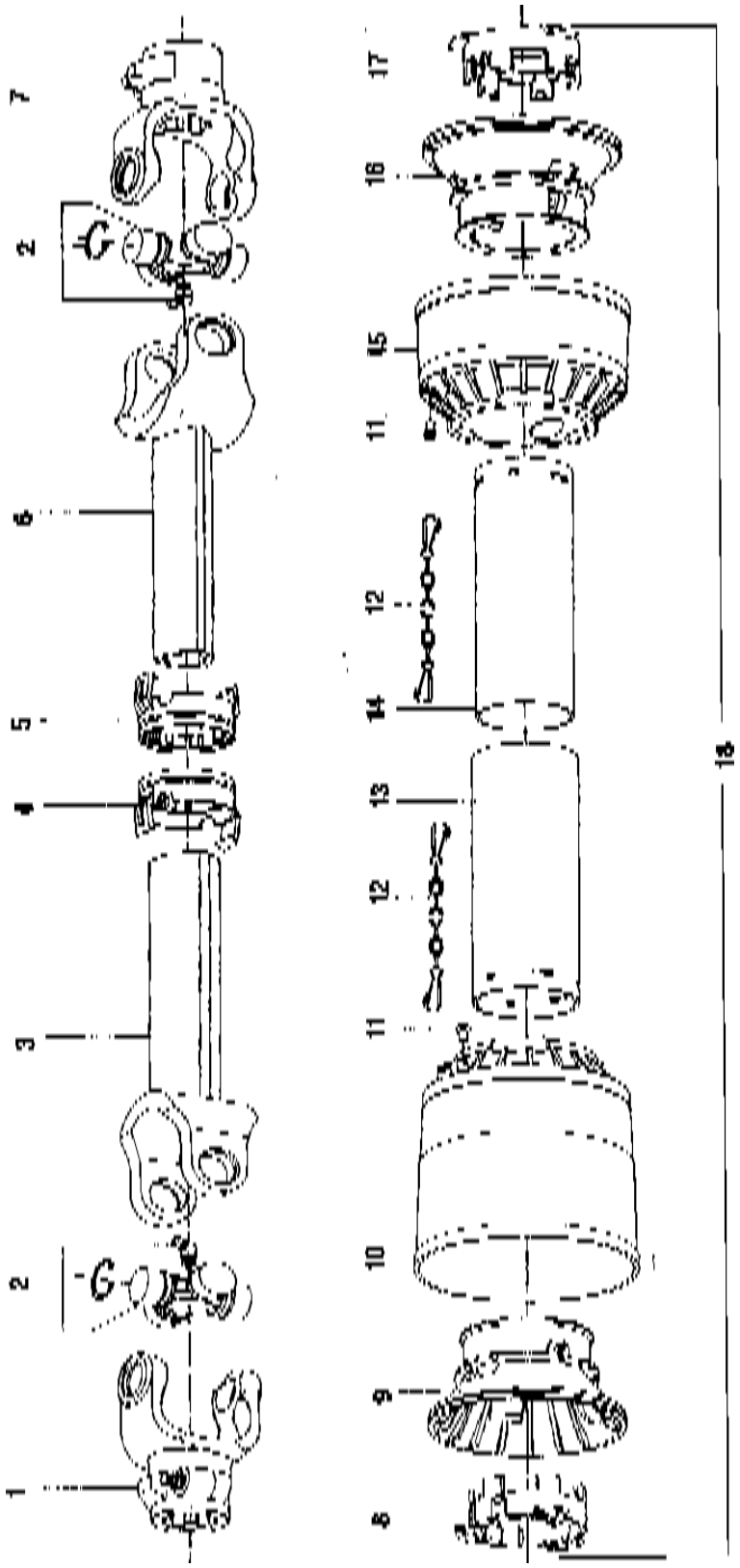


ITEM #	PART #	DESCRIPTION	QTY.
1	005 0192	Pinion Gear	1
2	002 5332	Bearing 6207	2
3	001 0196	Spacer	1
4	003 4196	Spacer	1
5	004 2122	M35 Snap Ring	1
6	000 2295	35.62.10 Oil Seal	1
7	000 8623	SPB 250 X 1 Pulley	1
8	000 6698	M25 Lock Nut	1
9	001 0192	40.68.10 Oil Seal	1
10	001 2149	Bearing 6208	2
11	000 8603	Shaft Through Drive	1
12	000 6689	Key 8 X 7 X 30	1
13	001 0164	Gearbox Housing W/Hole	1
14	001 0173	M8 X 50 Bolt	7
15	000 8598	Breather Cap	1
16	000 8609	Cover	1
17	000 6513	M8 Nut	7
18	009 1281	Bolt M10 x 35	4
19	001 5237	M10 Nut	4
20	330 0101	Gearbox Housing No Hole	1
	050 0600	Gearbox Complete	1

Three Spindle Mower Rotor & Blade



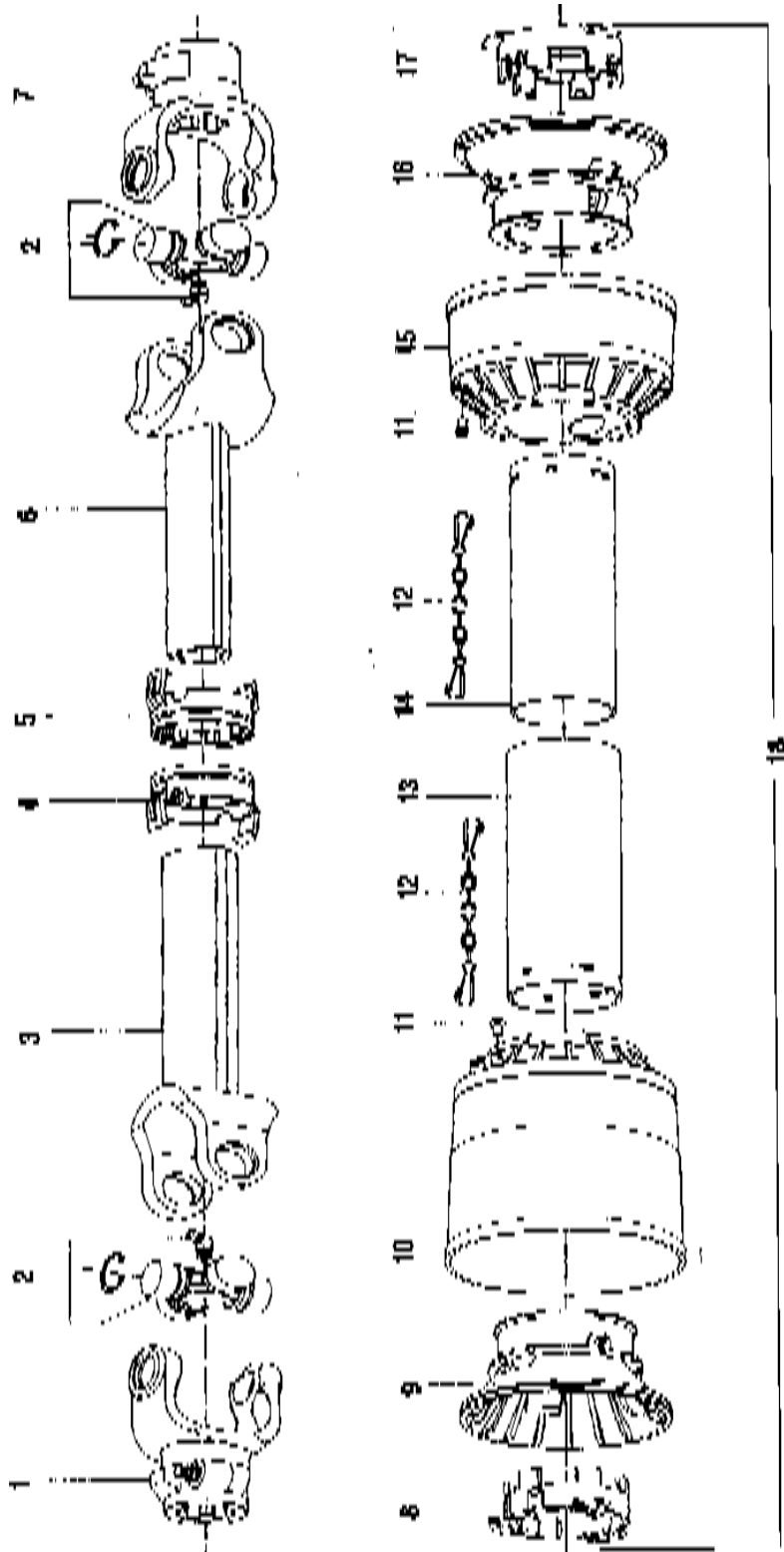
ITEM#	PART #	DESCRIPTION	QTY.
1	000 8666	Pulley SPB 130 X 1 5'	3
	000 8881	Pulley SPB 160 X 1 6'	3
3	000 6606	Spacer Ring	3
4	000 6634	Bearing 6205 Z	6
5	000 8536	Spacer	3
6	002 9036	Grease Fitting M8	3
7	000 8538	Shaft Support	3
8	000 6636	Cover	3
9	000 8557	Blade Holder Shaft	3
10	000 6639	Key 8 X 7 X 25	3
11	000 6641	Blade 5'	3
	000 6641B	Blade HighLift 5'	-
	000 6845	Blade 6'	3
	000 6845B	Blade HighLift 6'	-
12	000 8560	Cup washer	3
13	000 8559	Blade retaining bolt	3
14	000 6698	Locknut M25	3
15	003 0156	Nut M10 Trilock	12
16	000 1241	Bolt M10 X 25	12
	000 8534	Spindle Complete	3



**Three Spindle Mower
PTO**

5'

ITEM	PART#	DESCRIPTION	QTY.
1	022 001E	YOKE ASSEMBLY (TRACTOR END)	1
2	012 130E	CROSS ASSEMBLY	2
3	503 345B	OUTER TUBE WITH YOKE	1
4	503 318B	OUTER FASTENER RING	1
5	503 319B	INNER FASTENER RING	1
6	503 346B	INNER TUBE WITH YOKE	1
7	002 001E	YOKE ASSEMBLY (IMPLEMENT END)	1
8	503 322B	TUBE BEARING OUTER	1
9	503 323B	OUTER TUBE RIGID CONE	1
10	503 341B	SOFT CONE	1
11	503 325B	PIN FOR STOP ROTATION	2
12	502 889B	ANTIROTATION CHAIN	2
13	503 347B	OUTER TUBE	1
14	503 348B	INNERTUBE	1
15	503 324B	SOFT CONE	1
16	503 328B	INNER TUBE RIGID CONE	1
17	503 329B	TUBE BEARING INNER	1
18	503 349B	SHIELD COMPLETE	1
	948 815B	PTO COMPLETE T20	



**Three Spindle Mower
PTO**

6'

ITEM	PART#	DESCRIPTION	QTY.
1	022 001E	YOKE ASSEMBLY (TRACTOR END)	1
2	012 130E	CROSS ASSEMBLY	2
3	503 339B	OUTER TUBE WITH YOKE	1
4	503 318B	OUTER FASTENER RING	1
5	503 319B	INNER FASTENER RING	1
6	503 340B	INNER TUBE WITH YOKE	1
7	002 001E	YOKE ASSEMBLY (IMPLEMENT END)	1
8	503 322B	TUBE BEARING OUTER	1
9	503 323B	OUTER TUBE RIGID CONE	1
10	503 341B	SOFT CONE	1
11	503 325B	PIN FOR STOP ROTATION	2
12	502 889B	ANTIROTATION CHAIN	2
13	503 342B	OUTER TUBE	1
14	503 343B	INNERTUBE	1
15	503 324B	SOFT CONE	1
16	503 328B	INNER TUBE RIGID CONE	1
17	503 329B	TUBE BEARING INNER	1
18	503 344B	SHIELD COMPLETE	1
	948 816B	PTO COMPLETE T20	

